



The Introtek Advantage provides products of unsurpassed quality, functionality and dependability that are manufactured to the highest medical device standards and backed by a three-year warranty.

BDRI Integrated Clamp-On Sensors

The BDRI series integrated clamp-on sensor is designed to detect air-in-line and liquid level in rigid tubing



BDRI Sensor
Shown with rigid metal tubing in place

Introtek's BDRI integrated clamp-on sensors are the latest generation non-invasive Liquid Level Sensors, incorporating integrated Introtek circuitry within a new, sleek compact design. The BDRI series of sensors are designed to work with a wide range of tubing sizes and materials and is recommended for applications where a mounting base is not a requirement.

TECHNOLOGY

Introtek air bubble detectors and liquid level sensors utilize high-frequency acoustic energy to monitor tubing or vessels for the presence of air, air bubbles, foam or liquid. The sensor's piezoelectric crystals are placed in direct contact with the desired point of detection. Air detection sensors and electronics emit pulses of ultrasonic energy which are sent through tubing and returned within a specified "window" of time. If air is present, the ultrasonic signal does not arrive within this "window" of time and a warning or dry signal is immediately transmitted.

HIGHLIGHTS

- ◆ Non-invasive technology does not contact the fluid or require a break in the tubing.
- ◆ Integrated Electronics
- ◆ Sleek, compact design
- ◆ Low cost, premium performance
- ◆ Not affected by fluid color or tubing material.
- ◆ No field calibration is required.
- ◆ Custom power Input and output options available.

INTROTEK CERTIFICATIONS



APPLICATIONS

- ◆ Air bubble, air-in-line and liquid level sensing
- ◆ Patient-connected medical devices, including:
 - Apheresis
 - Auto-transfusion
 - Infusion pumps
 - Perfusion-based "life support" devices
 - Heart-lung bypass
 - Dialysis
 - Cardiac assist pumps
- ◆ Chromatography and separations technology
- ◆ Immunoassay and diagnostic equipment
- ◆ Liquid and chemical dispensing
- ◆ Blood processing equipment

The BDRI is designed to withstand the rigorous and demanding usage often found in the Pharmaceutical, Laboratory, Chemical, Waste Management, Aerospace and Food & Beverage industries.

BDMI Series Sensor

SENSOR PART NUMBER

Please contact an Introtek Application Specialist to determine the optional configuration for your application.

FUNCTIONAL SPECIFICATIONS

Sensor:

BDMI Sensors are cast of a rigid epoxy resin and work well with rigid or less pliable tubing. Clamp-on style sensors must be sized to the exact tubing outside dimensions. It may be necessary to provide a tubing sample in order to provide an air detection system that meets application specifications. The BDMI sensor works well as a dry-line sensor for many types of thin wall metal tubing with an outside diameter of 0.5 inches or greater. Due to the widely varying acoustic characteristics of metal tubing, we will require a tubing sample.

Application:

Since clamp-on style sensors are a rigid epoxy resin and are typically used with a rigid, less pliable tubing, it may be necessary to utilize the aid of a coupling agent to improve acoustic coupling. Typical coupling agents may include petroleum jelly, silicon grease, or teflon tape.

Calibration:

No field calibration is required.

Input Voltage Options:

5V, 12V or 24V

Temperature limits:

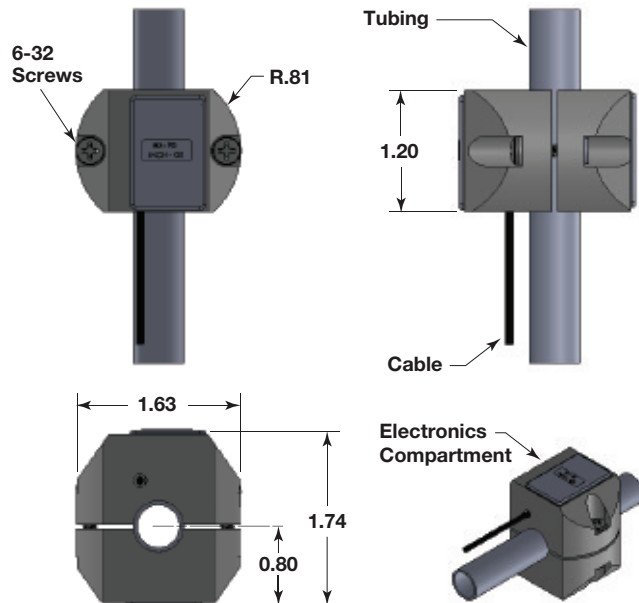
Operating: +41 to +140 °F (+5 to +60 °C)

Storage: -4 to +185 °F (-20 to +85 °C)

Humidity:

0 to 95% Non-Condensing

inches



VALIDATION TESTING

The Clamp-on Sensor was designed to be tested in conjunction with the following specifications:

Electrical Fast Transients:

IEC 61000-4-4:2004

Radiated Emissions, Group 1, Class B:

CISPR 11

Electrostatic Discharge:

IEC 61000-4-2:2002

Radiated Immunity:

IEC 61000-4-3:2002

Power Frequency Magnetic Fields:

Performed per IEC 60601-1-2:2007 (3rd Edition)

General Safety Requirements:

IEC 60601-1:2005+A1:2012 (E)

OPTIONS

- ◆ Reverse logic output
- ◆ Custom Response Times
- ◆ Open collector output
- ◆ Custom OEM designs

THREE-YEAR WARRANTY

All INTROTEK systems are warranted free of defects in materials or workmanship for three full years from the date of original factory shipment.

If returned within the warranty period, *with no modifications to the sensor; the original manufacturing label intact;* and, upon factory inspection of the unit, the cause of the malfunction is determined to be defective material or workmanship; INTROTEK will repair or replace the system at no cost to the purchaser (or owner) other than transportation. **If a unit is returned without an original label, the warranty is void.**

INTROTEK shall not be liable for misapplication, labor claims, direct or consequential damage or expense arising from the installation or use of the equipment. There are no other warranties expressed or implied except special written warranties covering some INTROTEK products.

INTROTEK

Excellence in Ultrasonic Technology™

Introtek International, L.P., Subsidiary of Magnetrol International, Incorporated
150 Executive Drive • Edgewood, New York 11717-9998 • 631-242-5425 • Fax 631-242-5260
www.introtek.com • info@introtek.com

©2016 Introtek International, L.P.
Magnetrol, Introtek, and Introtek logotype are registered trademarks of Magnetrol International.
Performance specifications are effective with date of issue and are subject to change without notice