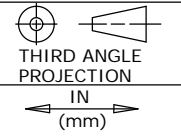
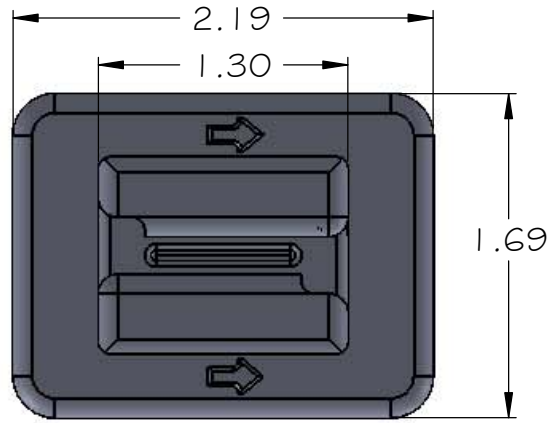


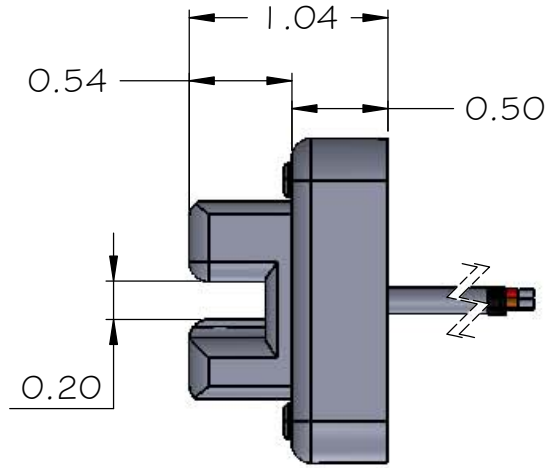
THIS DRAWING IS THE EXCLUSIVE PROPERTY OF INTROTEK INTERNATIONAL. NO USE WHATSOEVER OF THE INFORMATION CONTAINED HEREON, NOR REPRODUCTION IN WHOLE OR IN PART MAY BE MADE WITHOUT THE EXPRESS PERMISSION OF **INTROTEK INTERNATIONAL.**



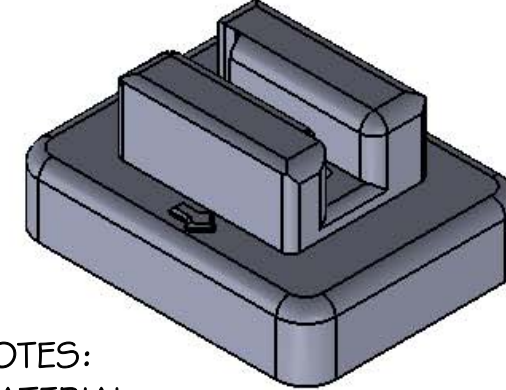
REVISIONS			
SYM	DESCRIPTION	BY & DATE	CHANGE NO.
A3	NEW BASE SIZE, MATERIAL, PCB AND OUTPUT FREQUENCY NOTE	TA 12/05/2017	ECN XXX



TOP VIEW



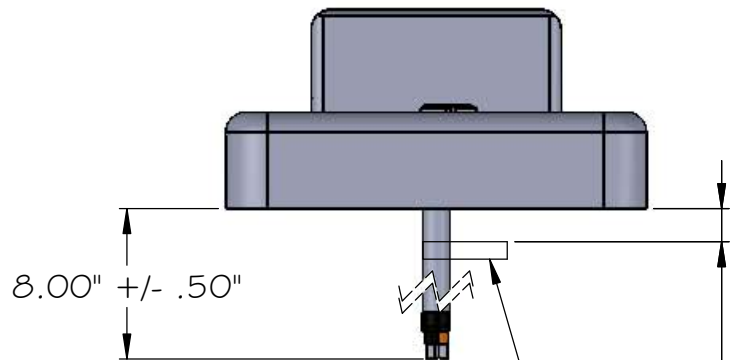
SIDE VIEW



ISOMETRIC VIEW

NOTES:
MATERIAL:

- 058-7368-001 BLACK POTTED ASSEMBLY, WITH ABS POLYLAC, FR94VO FLAME RETARDANT PA-765 HOUSING, SEALED UNIT.
- WIRING: 3 WIRE CABLE WITH SHIELD**
WIRE 1 RED 28 AWG +VDC
WIRE 2 BLK 28 AWG GND
WIRE 3 YEL 28 AWG OUT
- FUNCTIONAL SPECIFICATIONS:**
SUPPLY VOLTAGE: 5 VDC $\pm 5\%$
SUPPLY CURRENT: 24ma MAX
FLOW RATE: 100 - 2000 ML PER MINUTE
OUTPUT: VARIABLE FREQUENCY 20 KHZ FULL SCALE
- TUBING:** .25 O.D. GENERAL PURPOSE, CUSTOMER SUPPLIED
- LABEL TO HAVE** PART NO & REVISION
- SENSOR ROHS COMPLIANT** EXCEPT FOR SENSOR HEAD SLOT SECTION EXEMPTION.

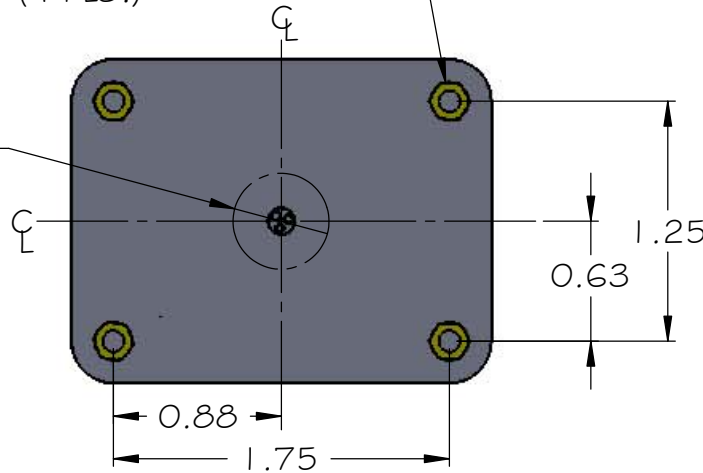


SIDE VIEW

CABLE LOCATION WITHIN $\phi 0.50$ MAX

1.00" +/- .25"
FLAG LABEL LOCATION

INSERT
4-40 UNC X .25 DEEP
(4 PLS.)



BOTTOM VIEW

PRELIMINARY

P/N 058-7368-001

MATERIAL	UNLESS OTHERWISE SPECIFIED: PLAIN DIMENSIONS IN INCHES; () OR "mm" DIMENSIONS IN MILLIMETERS REMOVE ALL BURRS AND SHARP EDGES, MAX. ALLOWED .032(0,81) INSIDE RADII .032(0,81)R.	TITLE	FLOW DETECTOR NON-CONTACT 1/4" TUBE 5 VDC INPUT		INTROTEK INTERNATIONAL 150 EXECUTIVE DRIVE EDGEWOOD, NEW YORK 11717 631-242-5425 (FAX) 631-242-5260 www.introtek.com sales@introtek.com								
RAW MATL PART NO.		DRAWN	TONY A.	DATE	04/06/2017	SCALE		NONE	PAGE	1 OF 1			
HEAT TREAT	ALL FINISHES 125 $\sqrt{\text{OR BETTER}}$ TOLERANCES:	CHKD	CHRIS V.	DATE	DATE	DWG SIZE	B	CAGE CODE	8V139	DRAWING NO	058-7368-OUTLINE	REV	A3
FINISH	2 PL. IN. DEC. ± 0.010 IN. 3 PL. IN. DEC. ± 0.005 IN. ANGULAR $\pm 1^\circ$	APPD	JOE M.	DATE	DATE	PROJ NO.		SKETCH NO.					

DWG SIZE B
058-7368