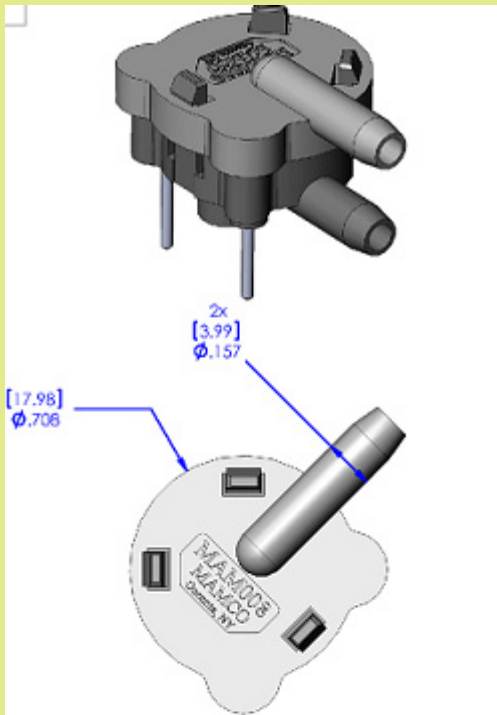


MAM008 Pressure Switch

The MAM008 is a compact, light weight switch available as a pressure, vacuum or differential model. Like its bigger brother, the MAM005, the MAM008 utilizes MAMCO's patented switch design; it incorporates gold crossbar contacts with an "all-in-one-welded" contact terminal construction and floating module that delivers reliability and extended life. Its miniature size combined with solder pins, makes this switch convenient for PCB mounting and ideal for high volume OEM applications where reliability and performance are as important as low cost.



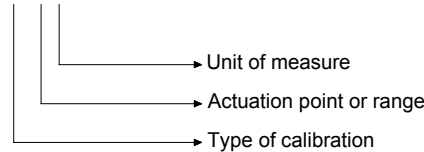
Specifications

Model	MAM008
Media	Air, Liquids, Gases
Form	SPST Normally Open
Electrical Rating	Maximum Load: 20 Milliamps @ 30 VDC and 10 Milliamps @ 120 VAC. Life: 1,000,000; Contact resistance: Less than 125 milliohms max. 230 VAC, 10 Milliamps
Operating Temperature Range	-40 to 120 C – Specific unit rating depends on material selection; consult factory for additional information.
Electrical Connection	Solder pins for PCB mount
Operating Pressure	.75 -550 inches of H ₂ O
Burst Pressure	25 PSI
Connection	Port for 5/32 ID flexible tubing

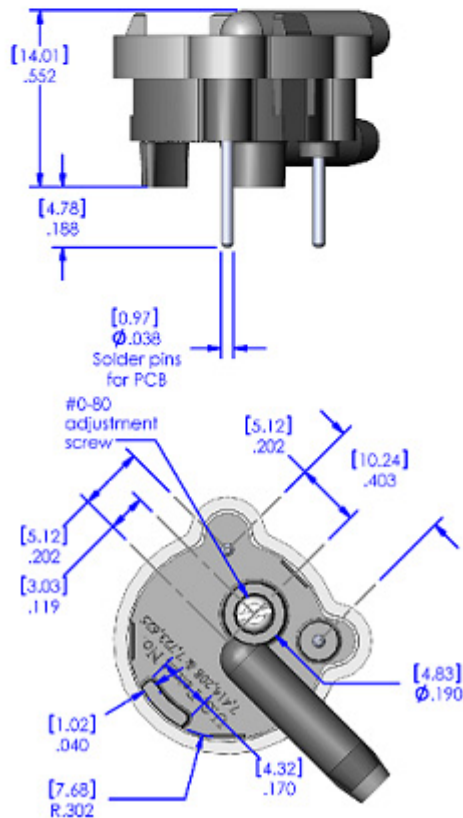
Conversion: 1 mbar = 100 Pa 1 in H₂O = 249 Pa

MAM008 Order Ref No:

MAM008-X-XX



Number	Type of Calibration	Actuation	Unit of Measurement
0		Enter Actuation Point	Inches of water
1	Factory Calibrated	.75-550 in H ₂ O	
2			POUNDS PER SQUARE INCH (PSI)
3			PASCAL (PA)
4			MILLIBAR (MBAR)
5			BAR
6			Millimeters of Mercury (mmHg)
7			Millimeters of Water (mmH ₂ O)
8			Torr



MAMCO