

## ELECTRICAL CHARACTERISTICS

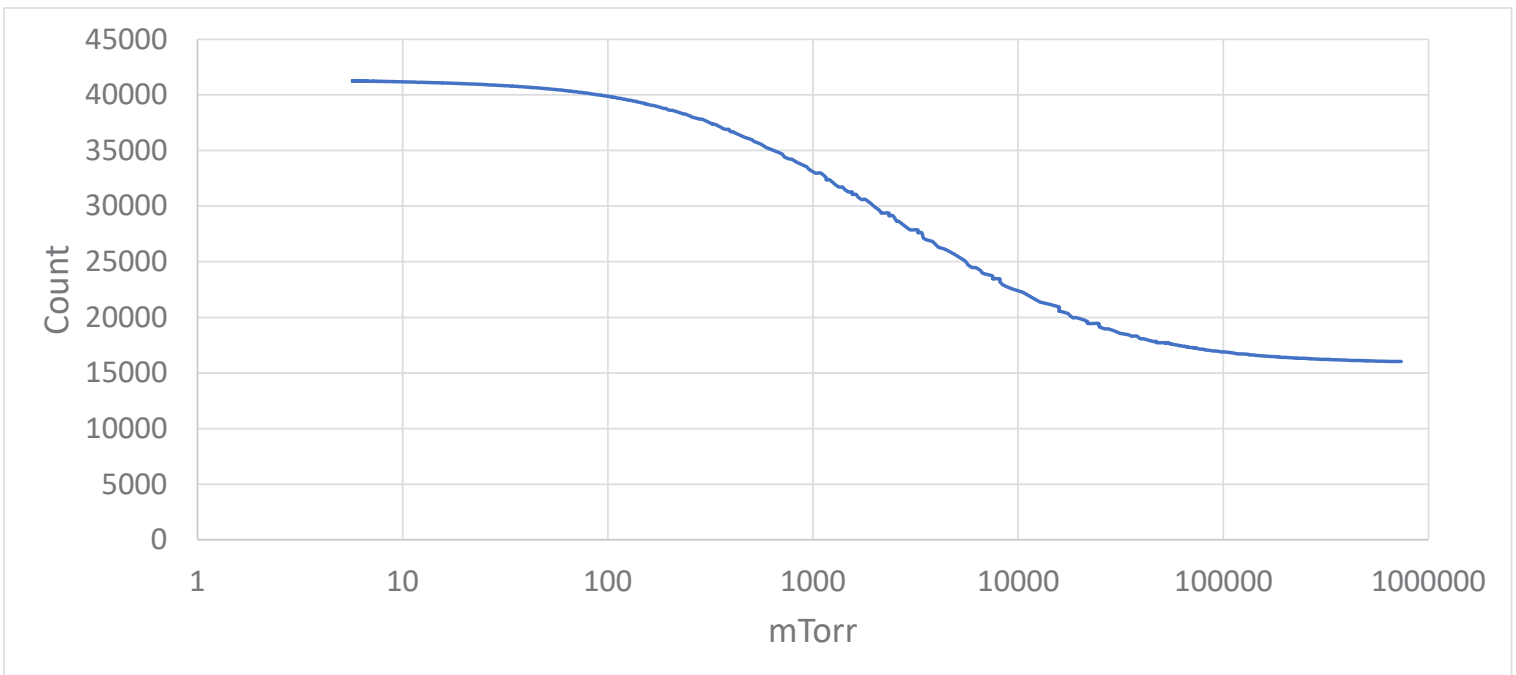
Test Conditions: Vdd = 3.3 Vdc, Ta=21°C					
SPECIFICATIONS	MIN	TYP	MAX	UNIT	CONDITIONS
Range	10 <sup>-3</sup>		760	Torr	
Output at Atmosphere	13500	17500	20000	Count	760 Torr
Output at 3 x 10 <sup>-2</sup> Torr <sup>1</sup>	37000	40800	44000	Count	3 x 10 <sup>-2</sup> Torr
Response Time		1		s	
Supply Voltage		3.3		Vdc	
Operating Current		11		mA	When heater is turned on
Operating Temperature Range	-25		85	°C	
Storage Temperature	-40		90	°C	

Note:

1. Sensor output is not calibrated.

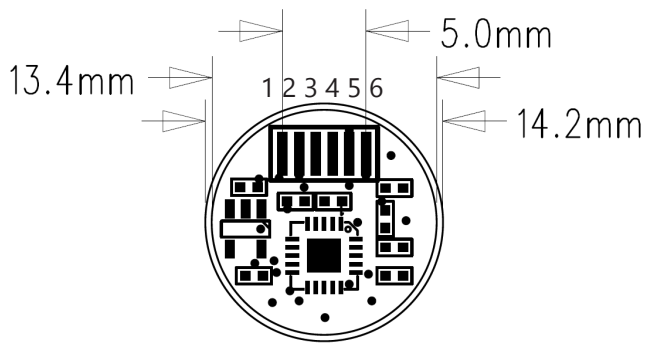
## TYPICAL OUTPUT CURVE

**Vdd = 3.3, Ta = 21°C**

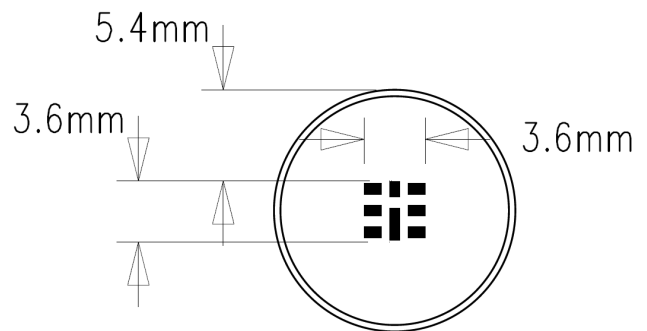


## PACKAGE DIMENSIONS

### PVC4001

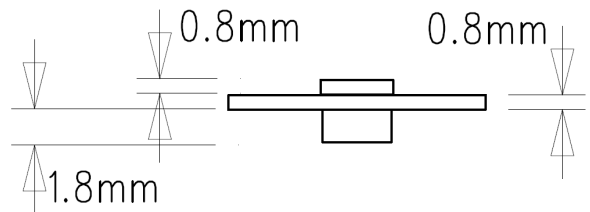


Top



Bottom

Pin#	Description
1	Vdd (3.3V)
2	GND
3	SDA
4	SCL
5	ICPCK (for firmware update)
6	ICPDA (for firmware update)



Side

## ORDERING INFORMATION

PART NUMBER	SPECIFICATIONS
PVC4001	10 <sup>-3</sup> to 760 Torr, SMD sensor

Please contact Posifa or your local distributor to place an order.

### EUROPEAN DISTRIBUTOR

BS-rep GmbH

Eichertstr. 68, D-56745 Weibern, Germany

Tel: +49 (0) 2655 / 96 26 476

Email: info@sensor-rep.de