

LF 32 Pressure Switch

The LF32 switch is an adjustable differential pressure switch that is designed with a scaled adjustment knob to make changing a setpoint simple. This switch is best for applications that monitor air flow in ventilation ducts and industrial cooling equipment. Also offers overheating protection for fan heaters and frost protection for heat exchangers.



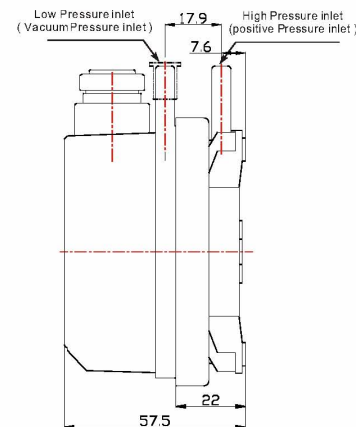
Specification

Series No.	LF32
Media	Air, non-combustible and non-aggressive gasses
Max Operating Pressure	5kPa (0.73 PSI)
Mounting position	Diaphragm in any vertical plane
Degree of protection	IP54 (with cover)
Operating Temperature	-40°C to 85°C
Contact Arrangement	SPST or SPDT
Electrical Rating	Resistance: Initial: <400 milliohms; 1.5A (0.4A) @ 250V
Terminals	Ø 6.4 mm (0.25") copper alloy
Connection	Ø 6.0 mm (0.24") for tube connection

Conversion : 1in/H₂O=249Pa 1mbar=100Pa

LF32 Pressure Range

Model	Pressure Range	Differential	Tolerance
LF32-02	20 ~ 200 Pa .08 - .80 H ₂ O	10 Pa	+/-15%
LF32-04	40 ~ 400 Pa .16 - 1.60 H ₂ O	20 Pa	+/-15%
LF32-10	200 ~ 1000 Pa .80 - 4.0 H ₂ O	100 Pa	+/-15%
LF32-25	500 ~ 2500 Pa 2.0 - 10.0 H ₂ O	150 Pa	+/-15%



Dimensions in: mm

MAMCO/LEFOO

